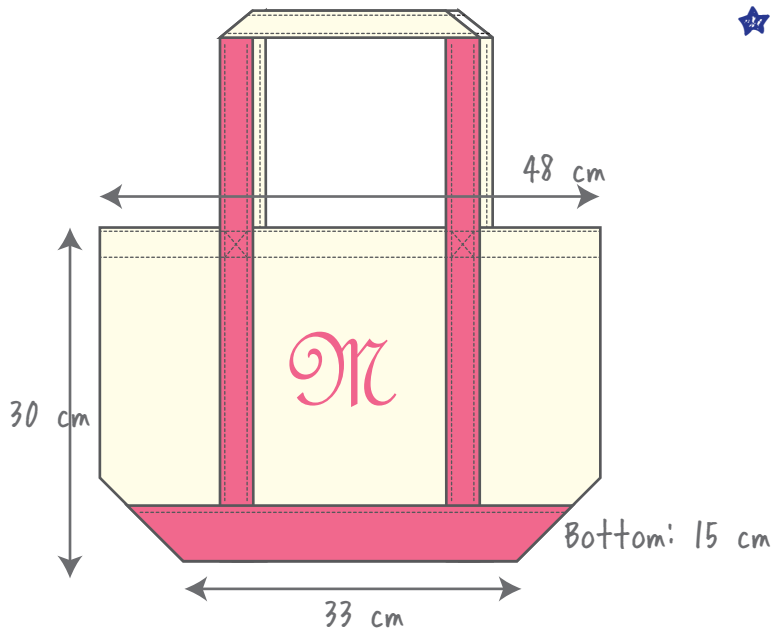


Tote bag instructions

★ Beginners are recommended to use canvas or any other thick, but pliable and easy-to-handle fabric, such as #11 canvas or #10 oxford.



Materials

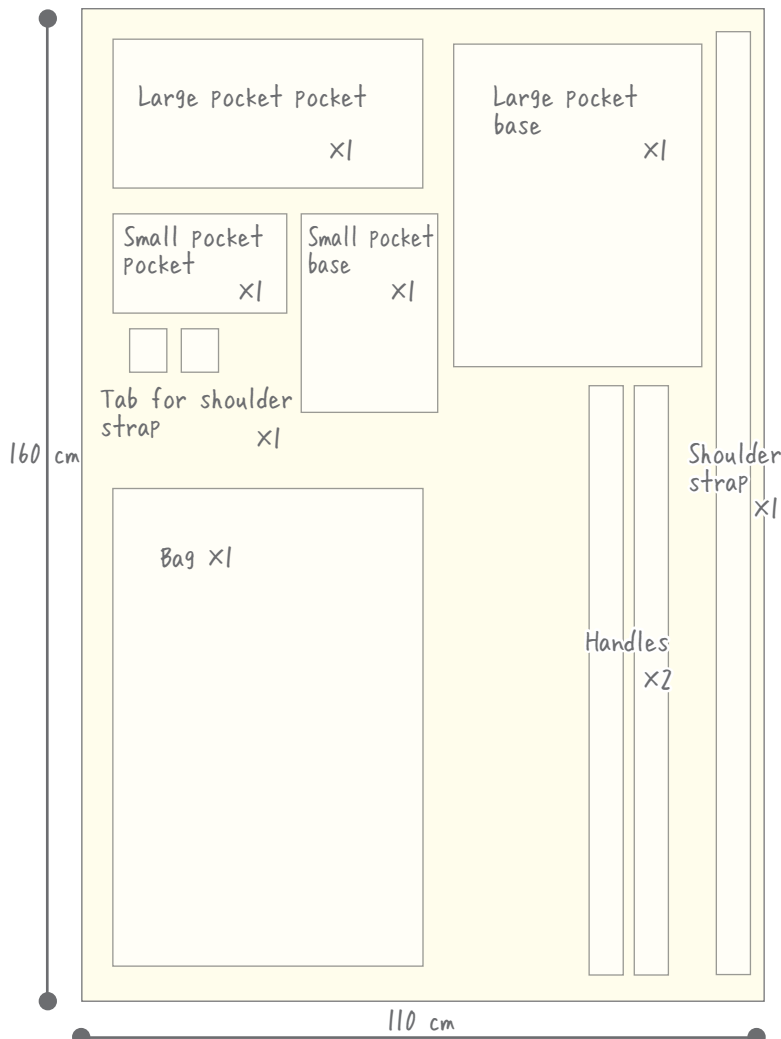
Top fabric	160 cm × 110 cm	×1
Other fabric	160 cm × 80 cm	×1
Swivel hook (35 mm)		×1
Strap adjuster (35 mm)		×2
D-ring (35 mm)		×2
Bias tape (four-fold)	9 mm wide, 1 m long	

Finished size

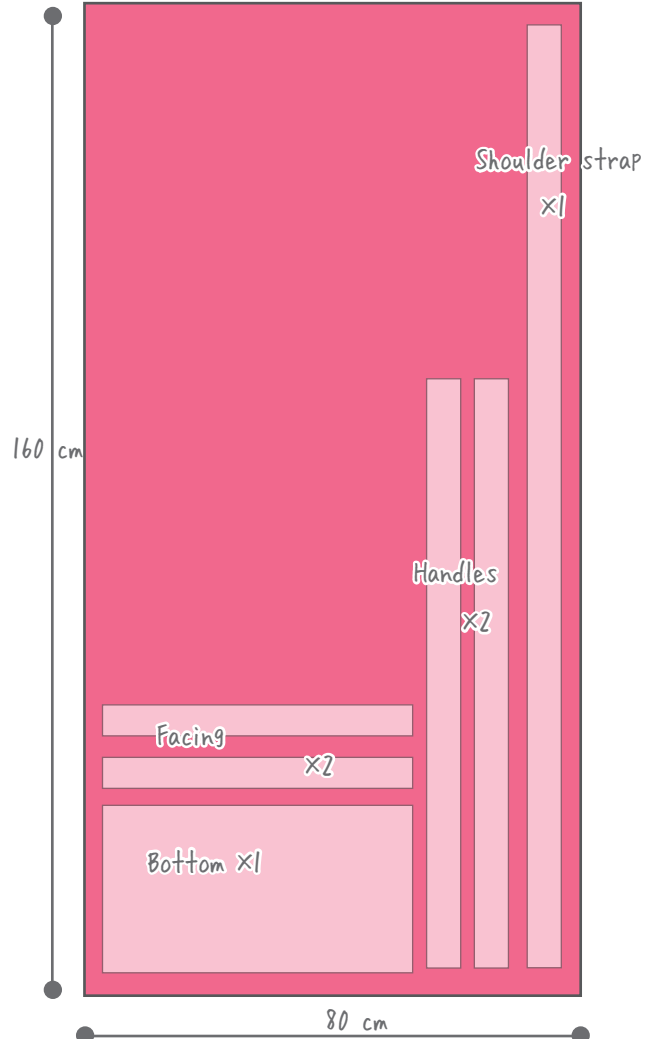
Width of opening: 48 cm, Height: 30 cm, Bottom width: 15 cm

Cutting guide

Top fabric



Other fabric



★ Use straight cuts to cut out the pieces.
This method consists in simply cutting the fabric to the indicated dimensions.
Since marks will be drawn directly on the fabric, cut from the wrong side.

Tips on selecting fabric!

This project provides clear instructions for creating a tote bag.

Wouldn't it be great to make a canvas tote bag like those sold in stores.

In recent years, #4 or #6 canvas has been available in fabric stores.

But not so fast!

While making the bag, the fabric will be folded many times or overlapped, which is too thick for sewing.

Generally, the fabric thickness that can be sewn by a sewing machine is the height to which the presser lever can be raised.

Be sure select materials according to the capabilities of your sewing machine.

Tips for sewing thick fabrics!

Sewing thick fabrics does only require a sewing machine with a powerful motor.

The tightness of the stitching and the feed force are also important.

A typical sewing machine feeds fabric with its feed dogs (from below).

However, by using a "walking presser foot" to also feed fabric from above, thick fabrics can be sewn more easily.

★ Introduction to the attachment

Walking foot (For details on its use, contact your authorized retailer.)

For best results, use this presser foot when sewing fabric that is hard to feed (such as vinyl and real or synthetic leather) and when sewing fabric that easily slips (such as quilting and velvet).

It is also very effective when sewing thick fabrics.

Be sure to change the sewing machine needle and threads according to the fabric.

The size of the needle also affects the size of the stitching.

★ Needles and threads according to fabric thickness

Fabric thickness	Needle size	Thread size	Size of stitching
Thin fabrics	c/# 9	c/# 90	About 15 stitches every 3 cm
Medium-weight fabrics	c/# 11	c/# 60	About 13 stitches every 3 cm
Medium-thick fabrics	c/# 14	c/# 50 - 60	About 13 stitches every 3 cm
Thick fabrics	c/# 16	c/# 20 - 30	About 9 stitches every 3 cm

If the thread tension is incorrect and the lower thread has become tight or entangled, tighten the upper thread.

Since the ideal sewing conditions are not obvious from the beginning, do not hesitate to try various adjustments. ★

Instructions

* Step 1

Let's embroider!

Create embroidery with your embroidery machine!

If you are using an iron-on appliqué, continue with Step 2.

① Use the embroidery machine to embroider the bag!

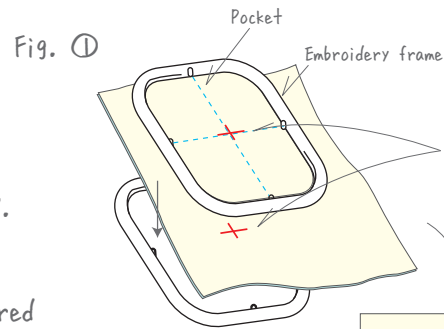
When hooping the fabric, align the center of the desired embroidering location with the center of the embroidery frame, and then firmly secure the fabric.

* Before embroidering, affix embroidery stabilizer to the wrong side of the fabric.

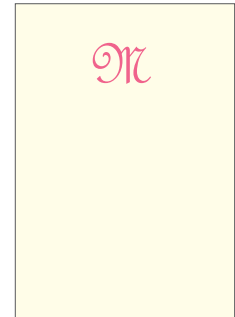
(If the fabric is thick and stretched taut, beautiful embroidery can be sewn without stabilizer.)

Continue according to the instructions provided with your embroidery machine!

3



Align the center of the desired embroidering location and the center of the embroidery frame.



After embroidering, remove the stabilizer.

Note

- If appliqué or embellishments will be used, attach them at this stage. Iron-on appliqué can be applied at the end.

* Step 2

Make the pockets.

① Make the pockets.

With right sides together, sew along the sides of the two base pieces, separately for the large pocket and for the small pocket.

Press the seams, and then turn right side out.

Note

Sew reverse stitches at the beginning and end of stitching.

② Make the pocket pouches.

Fold over 2 cm at the pocket opening twice, and then stitch it.

Fold up a 1 cm seam allowance at the bottom of the pouch.

Fold over 1.5 cm side sections on each end and in the center.

(Fold over 1 cm for the small pocket.)

Note

Sew reverse stitches at the beginning and end of stitching.

③ Open the side sections of the pouch, and then sew both ends and the center to the base.

Fold in the bottom, and then sew the pouch bottom.

Do this for the small pocket as well.

Note

Sew reverse stitches at the beginning and end of stitching.

Fig. ①

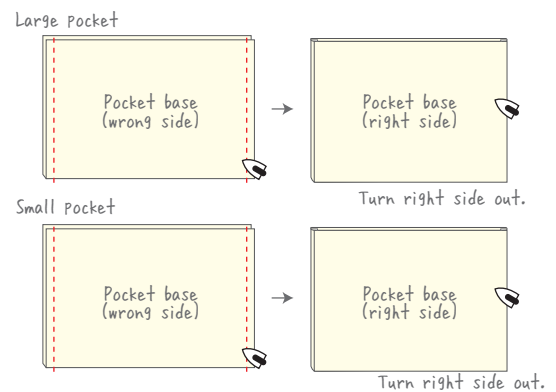


Fig. ②

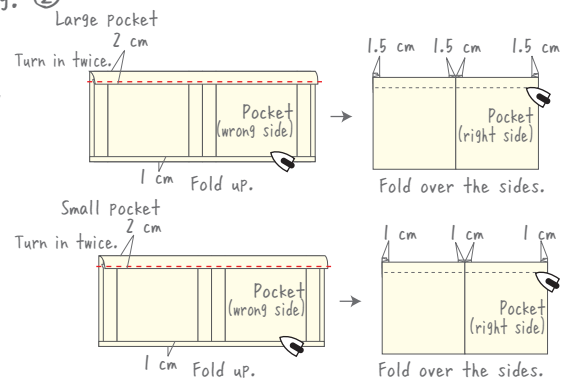
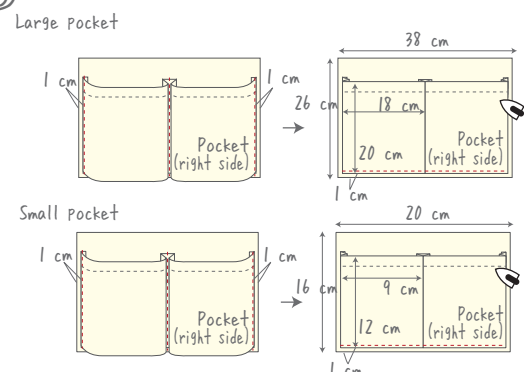


Fig. ③



* Step 3

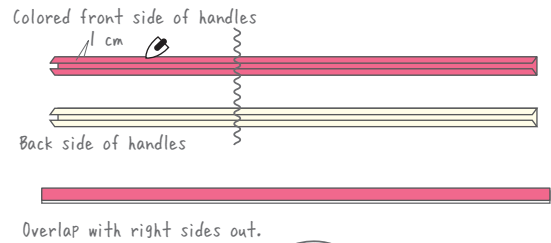
Attach the handles.

- ① Fold in seam allowances for both pieces of the handle, and then overlap the two pieces with right sides out. Sew along the edges of the handle, which also sews it to the bag.

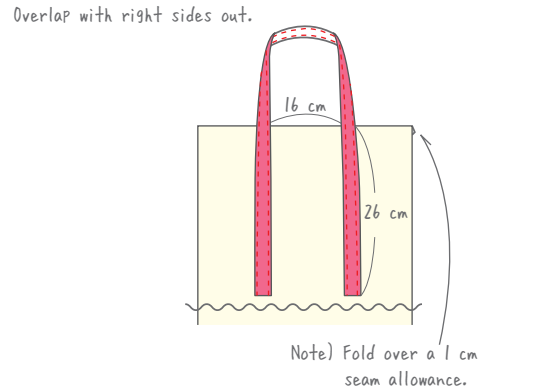
Note

- Sew reverse stitches at the beginning and end of stitching.
- Before sewing the handle, fold over a 1 cm seam allowance on the bag.

Fig. ④



4



* Step 4

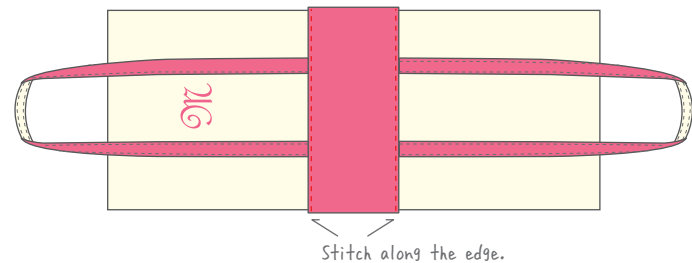
Attach the bottom.

- ① Sew on the colored fabric of the bottom. Fold over seam allowances in the colored fabric, place it over the bag outside pieces, and then stitch them.

Note

- Sew reverse stitches at the beginning and end of stitching.

Fig. ⑤



* Step 5

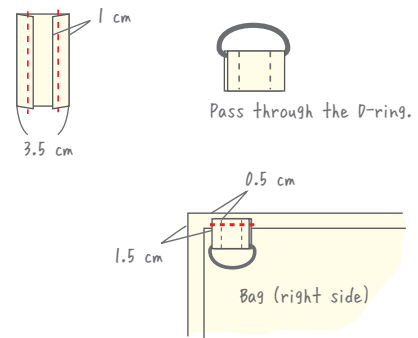
Make tabs for the shoulder strap.

- ① Fold back a 1 cm seam allowance on each side, and then stitch them. Fold the tab in half, pass it through the D-ring, and then baste it to the bag. Do this at the front and at the back.

Note

- Sew reverse stitches at the beginning and end of stitching.

Fig. ⑥



* Step 6

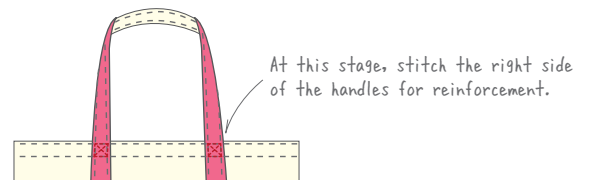
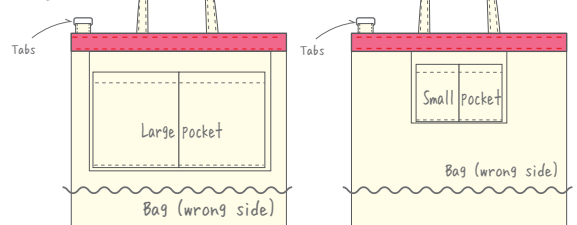
Finish the opening.

- ① Fold back a 1 cm seam allowance at the top and bottom of the facing, insert the large pocket (or small pocket) into place, and then stitch it.

Note

- Sew reverse stitches at the beginning and end of stitching.

Fig. ⑦



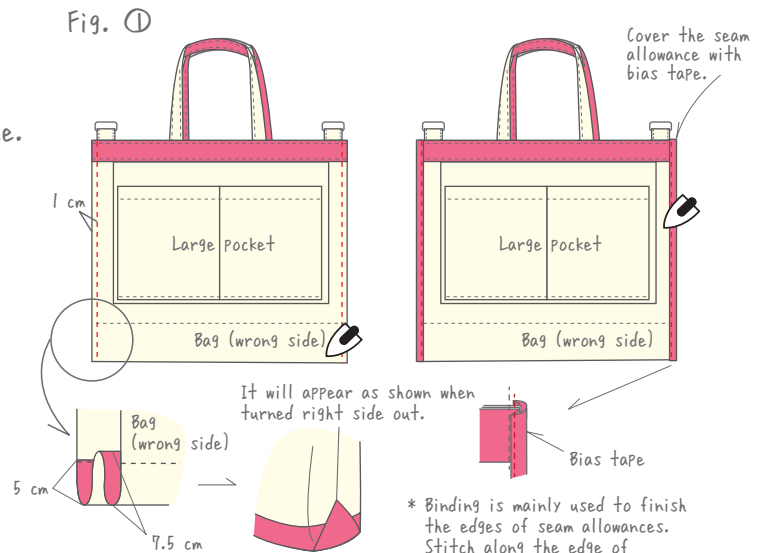
* Step 7

Sew together the sides.

- ① With right sides together, fold the bottom, and then sew together with a 1 cm seam allowance. Press the seams, and then apply binding to the seam allowances. Press the seams, and then turn right side out.

Note

- Sew reverse stitches at the beginning and end of stitching.



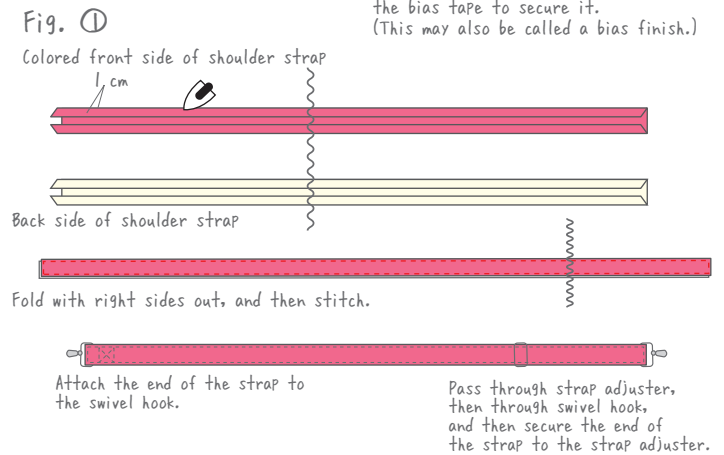
* Step 8

Make the shoulder strap.

- ① Fold in seam allowances for both pieces of the shoulder strap, overlap with right sides out, and then stitch along the edges. Pass one end through the swivel hook, and then stitch it in place. Pass the other end through the strap adjuster, then through the swivel hook, and then sew it to the center of the strap adjuster.

Note

- Sew reverse stitches at the beginning and end of stitching.



* Step 9

Finishing

- ① Touch up with an iron, and then attach the swivel hooks to the D-rings. You are now finished!!

Fig. ①



The tote bag ★ with plenty of storage ♪ is finished!