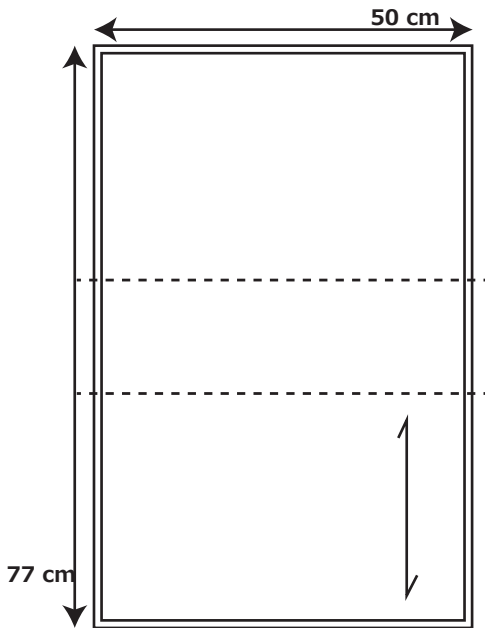
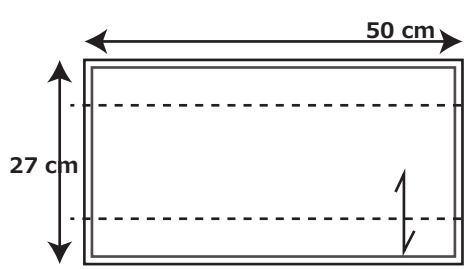


# Tote bag pattern

Bag Top fabric × 1



Bottom Other fabric × 1



\* The basic seam allowance is 1.0 cm.

\* Cutting line

\* Stitching line

\* Arrows indicate the direction of the fabric grain.

Handles

Top fabric × 2

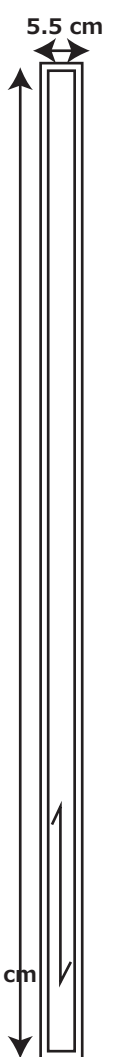
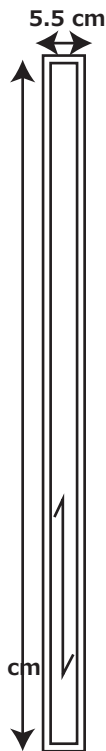
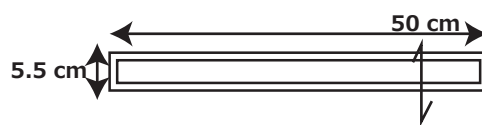
Other fabric × 2

Shoulder strap

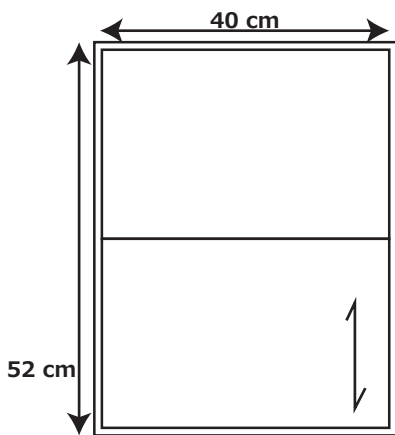
Top fabric × 1

Other fabric × 1

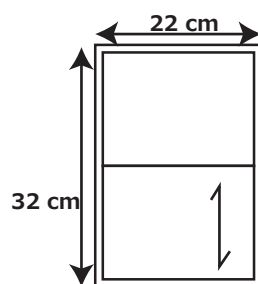
Facing Other fabric × 2



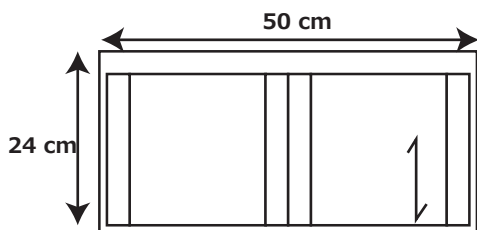
Large pocket base Top fabric × 1



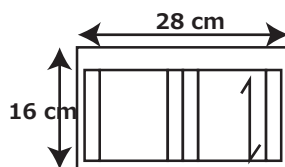
Small pocket base Top fabric × 1



Large pocket pocket Top fabric × 1



Small pocket pocket Top fabric × 1



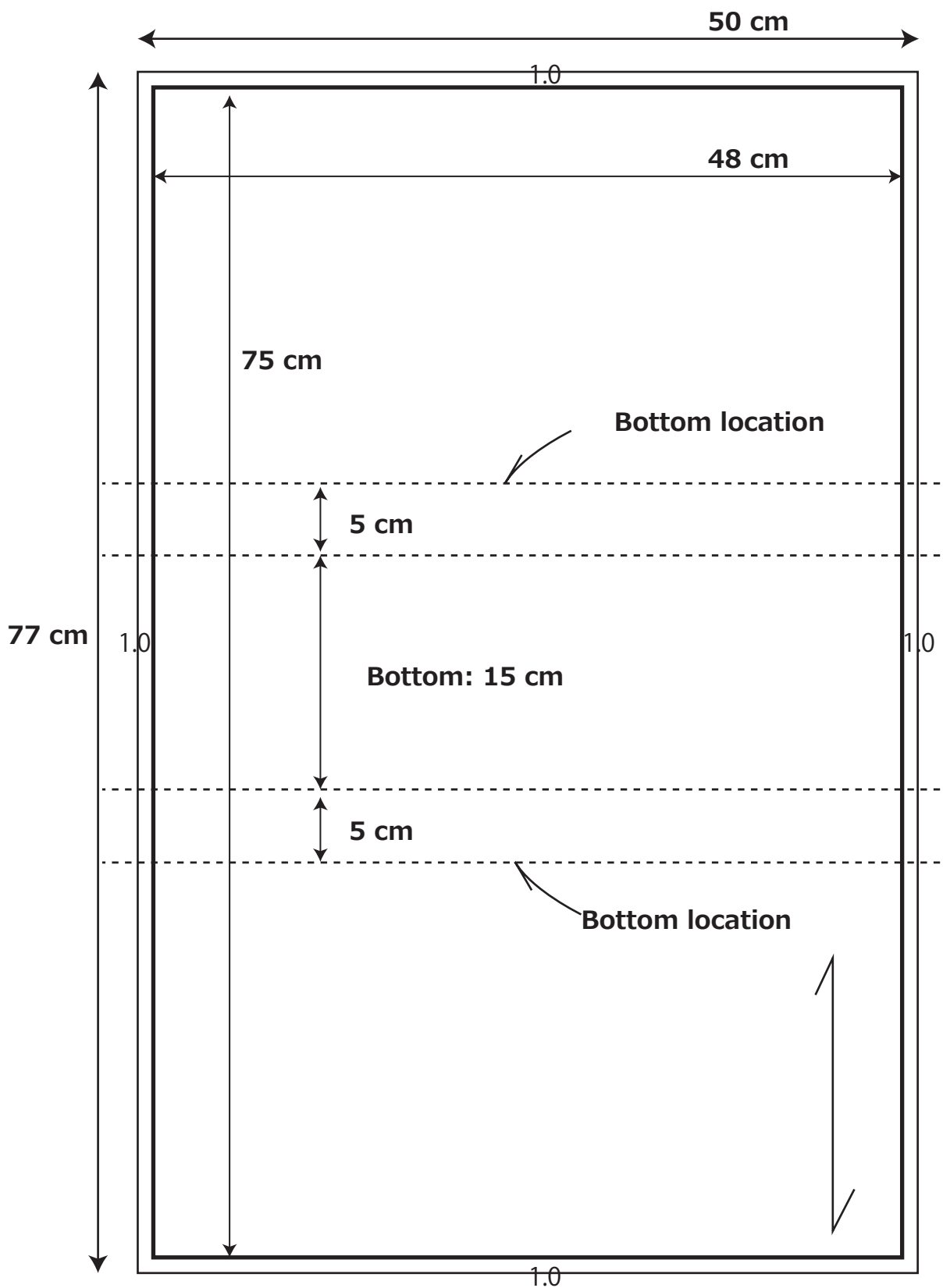
Tab for shoulder strap Top fabric × 2



★ The tote bag requires a total of 16 patterns. Use straight cuts to cut out each of the 16 pieces with the dimensions indicated above.

Bag Top fabric × 1

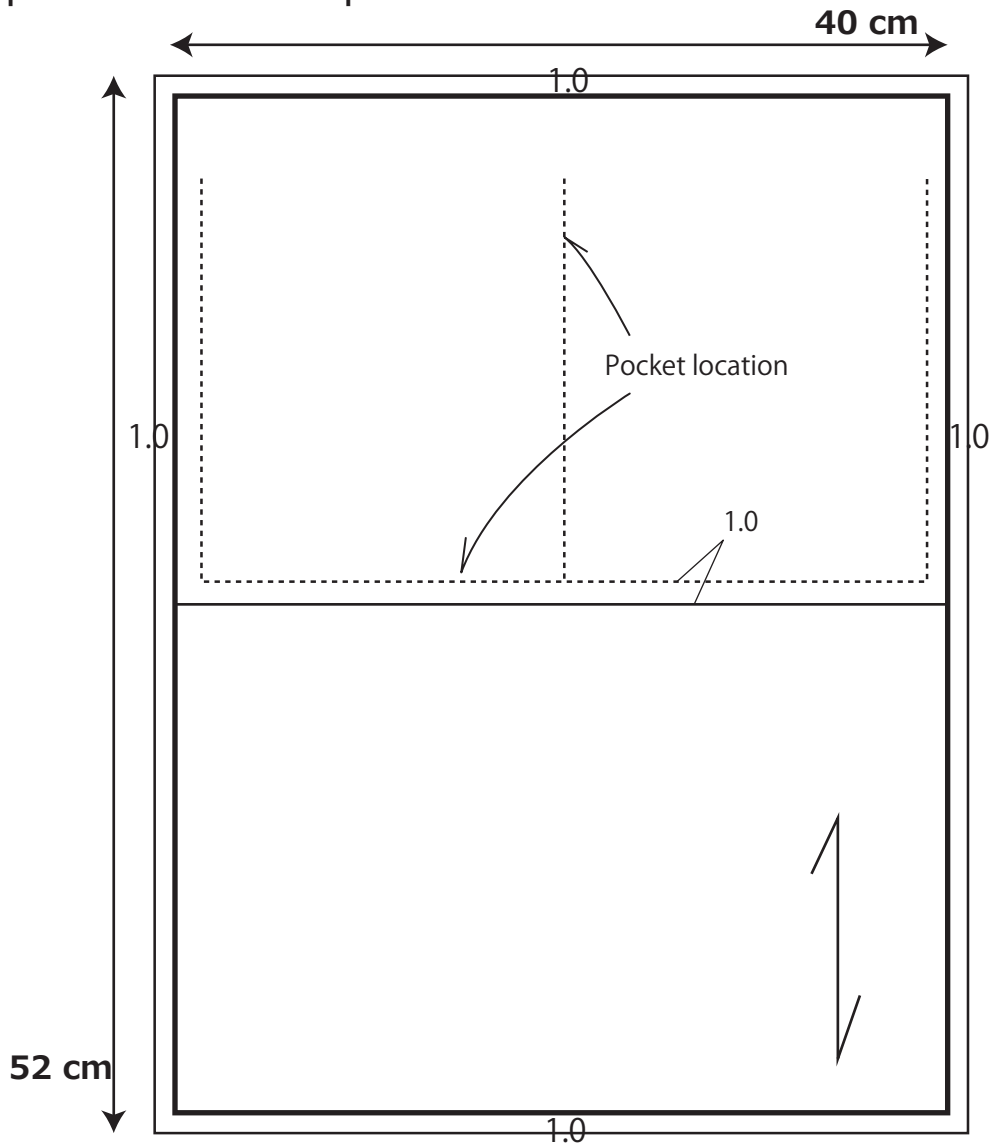
Details for cutting out pieces



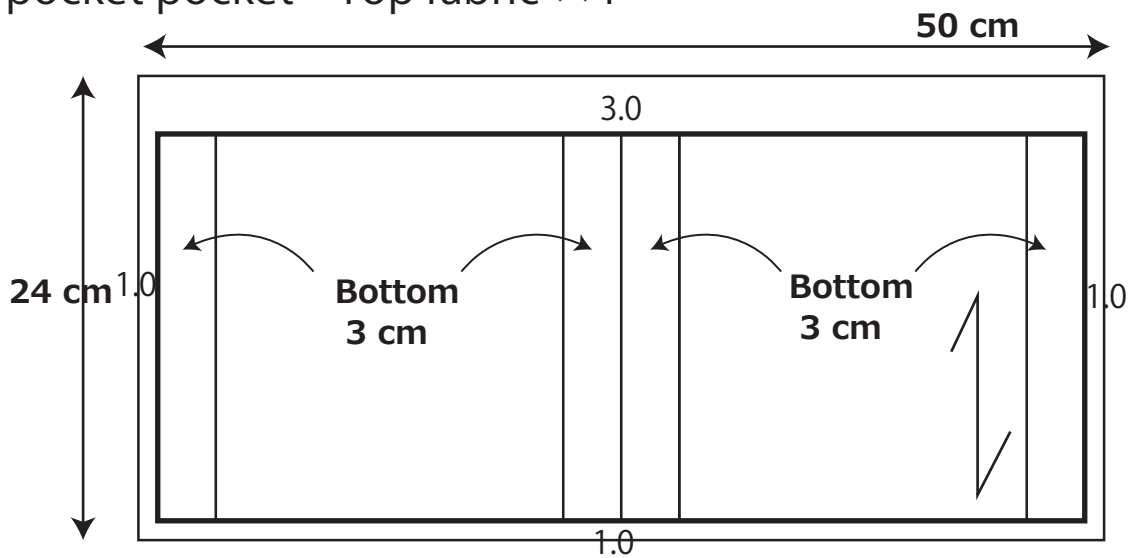
★ Cut out the specified number of pieces with the dimensions indicated above.

Details for cutting out pieces

Large pocket base Top fabric × 1

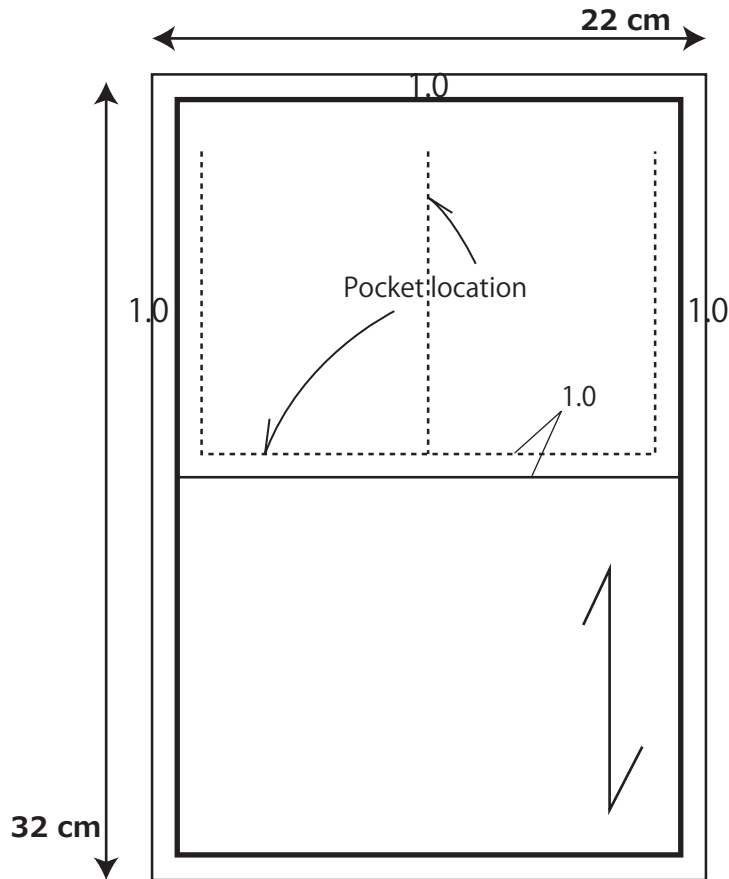


Large pocket pocket Top fabric × 1

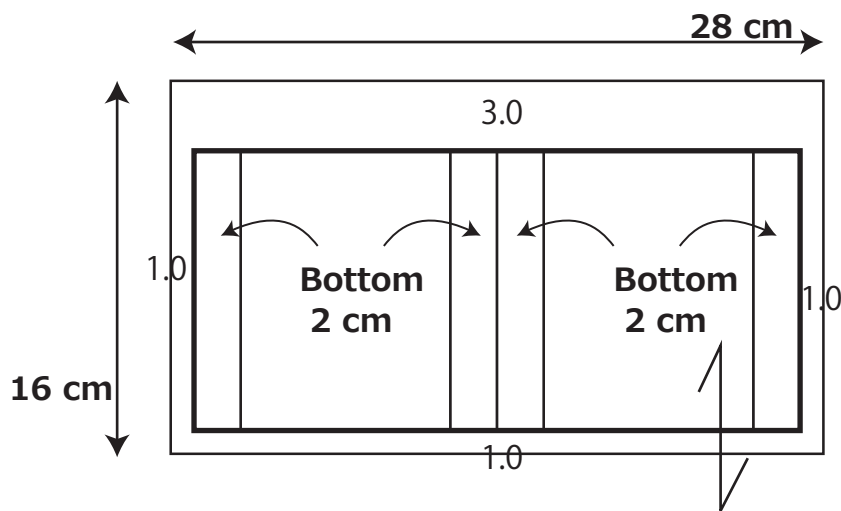


★ Cut out the specified number of pieces with the dimensions indicated above.

Small pocket base Top fabric × 1



Small pocket pocket Top fabric × 1



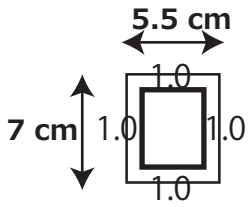
★ Cut out the specified number of pieces with the dimensions indicated above.

# Tote bag pattern

Details for cutting out pieces

Tab for shoulder strap

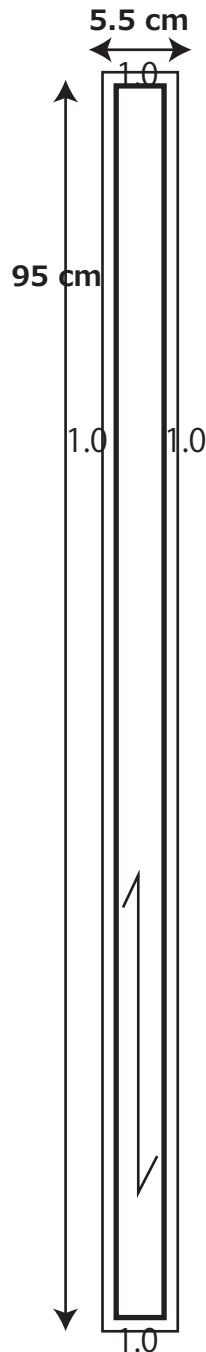
Top fabric × 2



Handles

Top fabric × 2

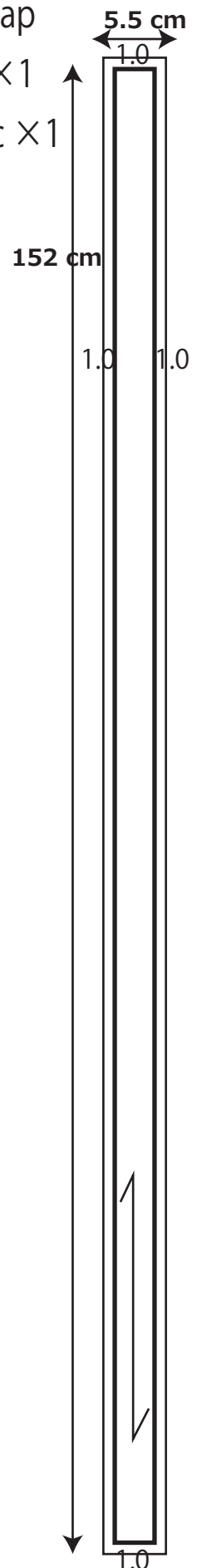
Other fabric × 2



Shoulder strap

Top fabric × 1

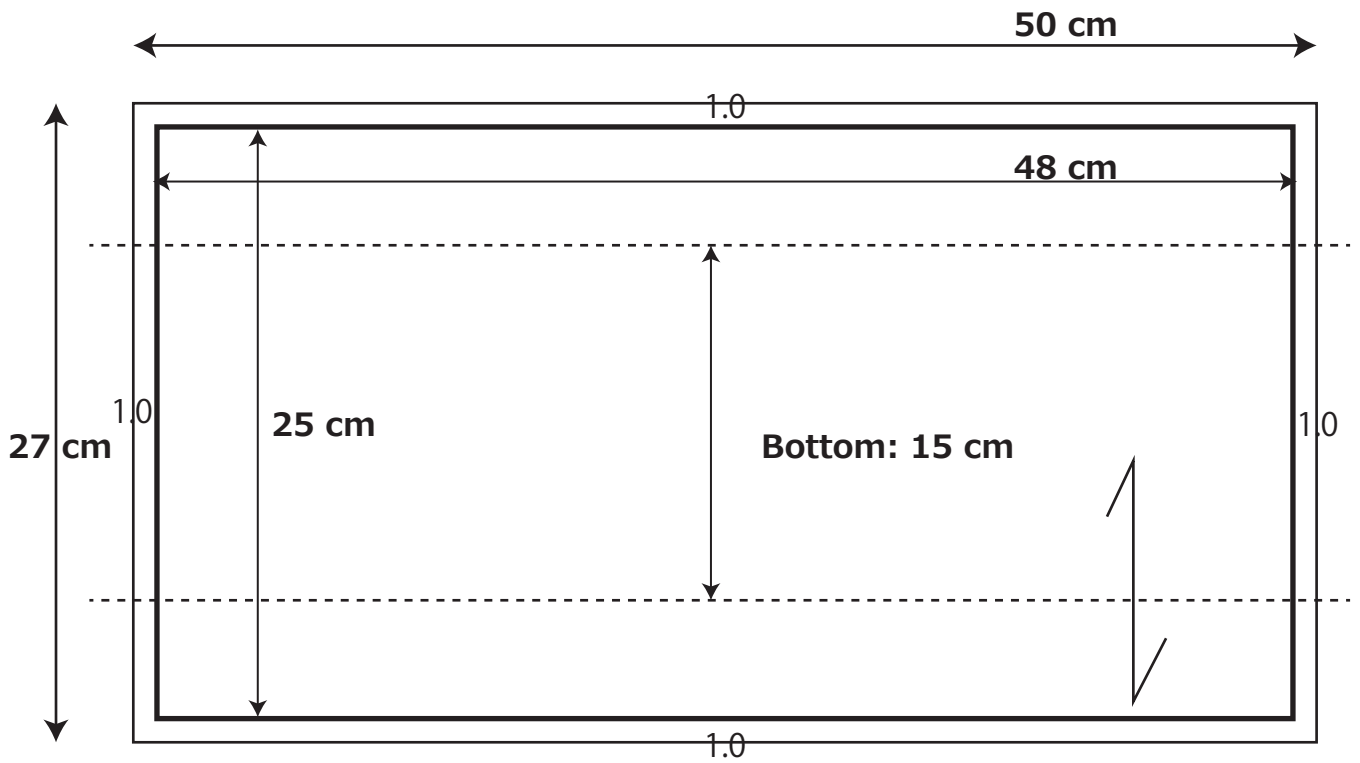
Other fabric × 1



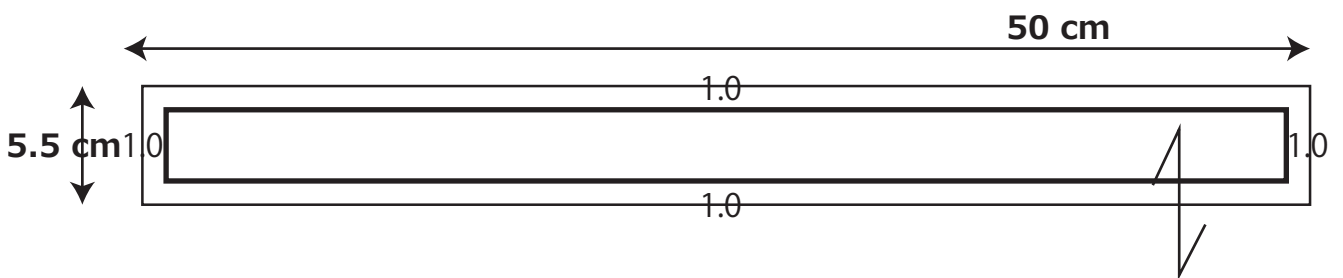
★ Cut out the specified number of pieces with the dimensions indicated above.

Details for cutting out pieces

Bottom Other fabric × 1



Facing Other fabric × 2



★ Cut out the specified number of pieces with the dimensions indicated above.